

Quick-Finder EvoSIGNAL Midi - Horns & Sirens



12/24 V AC/DC

161 700 70

115-230 V AC

161 700 60

+ Mounting adapter (compulsory!)

Base mounting



Order no.
261 700 01

Base mounting
with cable gland



Order no.
261 700 02

Tube mounting



Order no.
261 700 05

Bracket mounting
with cable gland



Order no.
261 700 06

Bracket mounting

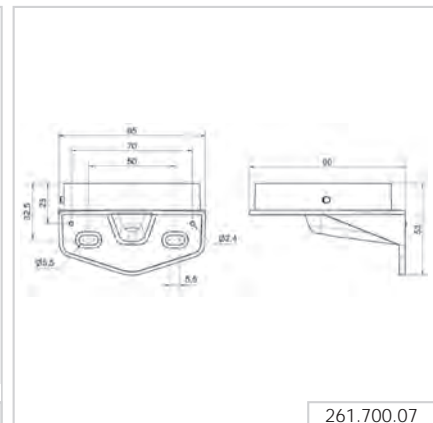
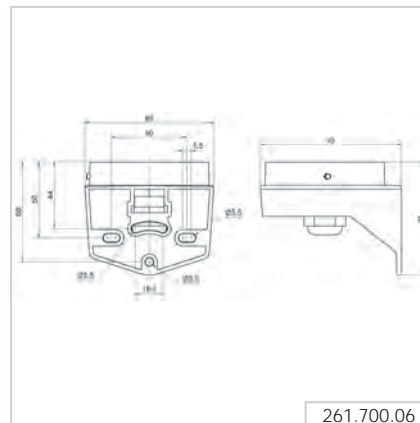
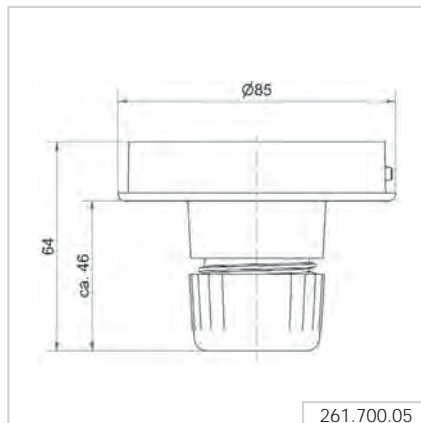
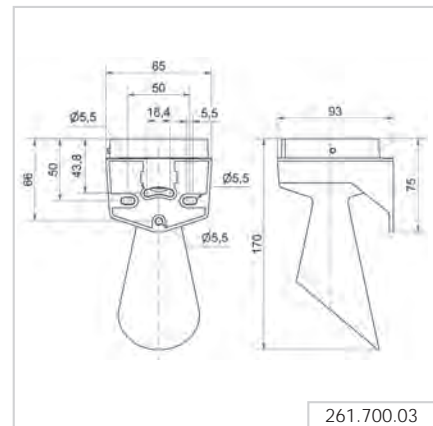
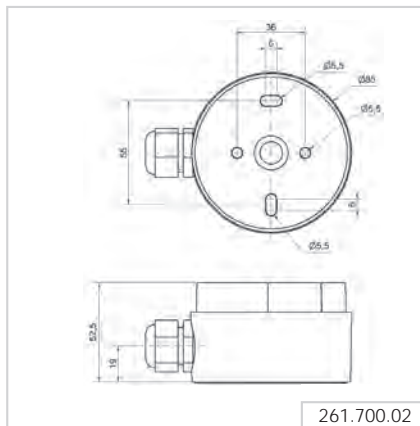
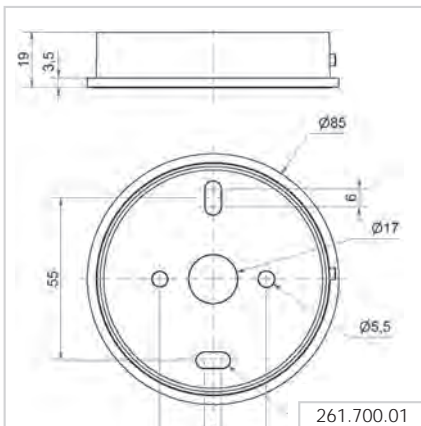


Order no.
261 700 07

Horn



Order no.
261 700 03



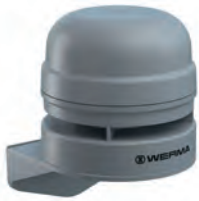
EvoSIGNAL Midi - Horns & Sirens



Base mounting



Tube mounting



Bracket mounting

① TECHNICAL SPECIFICATIONS/ORDER SPECIFICATIONS

Dimensions (Ø x Height): 85 mm x 78 mm		
Housing:	PC/ABS	
Lens:	PC, grey	
Fixing:	Base/Tube/Wall mounting	
Cable entry:	Cable diameter 8-12 mm	
Connection:	Pusch-In terminal max. 1.5 mm ²	
Tone type:	Multi-tone	
Tone frequency:	3300 Hz	
<hr/>		
Voltage:	12/24 V AC/DC	115-230 V AC
Current consumption:	≤ 175 mA	≤ 105 mA
Order no.	161 700 70	161 700 60

♪ TONE TYPES AND FREQUENCIES

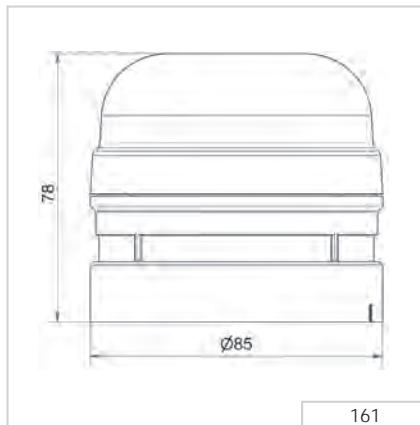
10 selectable tones and adjustable sound output

Tone	Tone type
0	Horn tone (ca. 110 Hz), max. 107 dB(A)
1	Continuous tone (ca. 3.3 kHz), max. 106 dB(A)
2	Pulse tone 1 Hz (ca. 3.3 kHz), max. 110 dB(A)
3	Whistle tone 20 Hz (ca. 3.3 kHz), max. 110 dB(A)
4	800 – 970 Hz rising @ 1 Hz, max. 95 dB(A)
5	2400 - 2850 Hz rising @ 7 Hz, max. 99 dB(A)
6	1200 – 500 Hz falling @ 1 Hz, max. 101 dB(A)
7	Alternating tone 800 Hz / 1200 Hz @ 1 Hz, max. 100 dB(A)
8	Sweep-Tone 2100 – 4100 Hz @ 0.5 Hz, max. 110 dB(A)
9	Continuous tone (c. 700 Hz), max. 97 dB(A)

✂ ACCESSORIES:

Base mounting	261 700 01
Base mounting with cable gland	261 700 02
Tube mounting	261 700 05
Bracket mounting	261 700 07
Bracket mounting with cable gland	261 700 06
Horn	261 700 03

↔ TECHNICAL DIAGRAM



261.700.02 261.700.05 261.700.06 261.700.07 261.700.03



Signalisation index	
Midi	8